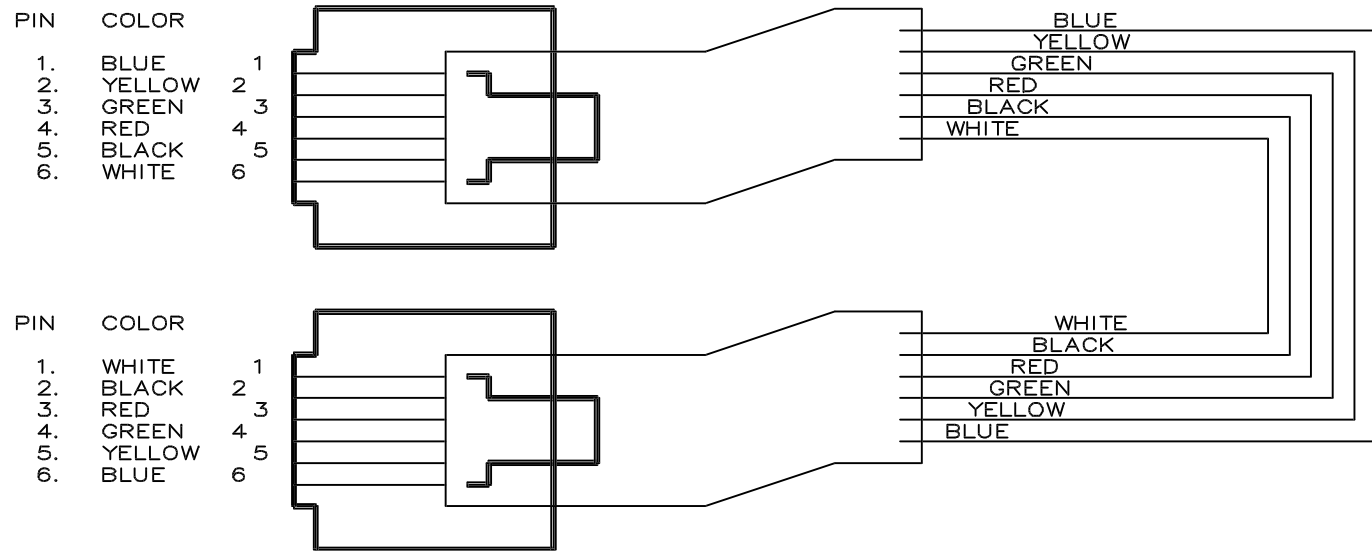


# FLIPPED TELCO TO TELCO CABLE

(REQUIRES A TELCO PLUG TO TELCO PLUG ON CABLE)



CABLE APPLICATION:  
 THIS CABLE CAN BE USED AS A DIRECT LINK  
 BETWEEN ANY TWO TRIAD STANDARD RS-232  
 SERIAL PORTS THAT HAVE TELCO CONNECTORS.

FOR EXAMPLE; THIS CAN BE USED TO SEND  
 TRI-CODE FROM ONE BART TO A TC-3550 OR  
 VISE VERSA.

TRIAD PRODUCTIONS, INC.		
Title FLIPPED TELCO TO TELCO CABLE		
Size A	Document Number TELCOFLP.OCD	REV A
Date:	May 15, 1995	Sheet 1 of 1