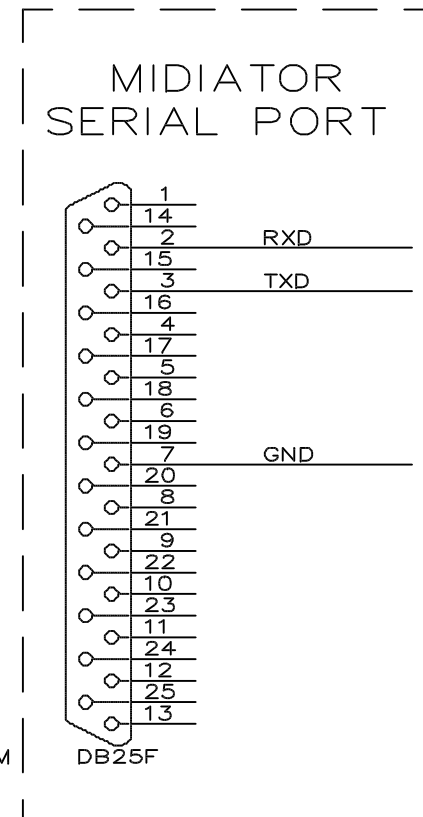
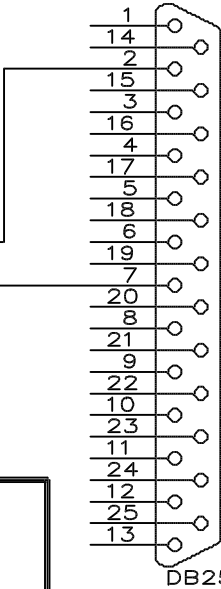
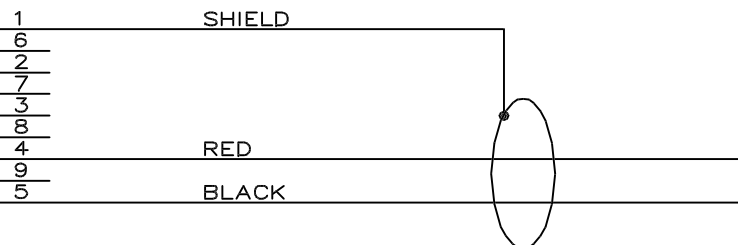
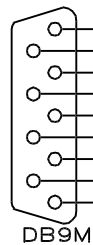
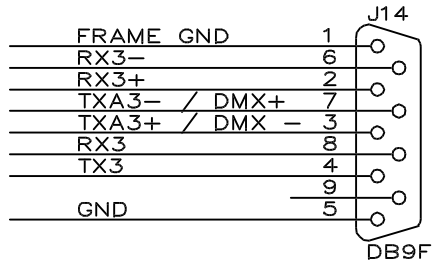


# BART "SER" C PORT TO SERIAL TO MIDI INTERFACE

BART RS-232 SERIAL C DB9F TO KEY ELECTRONICS DB25F  
(REQUIRES A DB9M TO DB25M ON THE CABLE)

## BART SERIAL C/D



BART SERIAL C DB9F		CABLE WIRE	MIDIATOR DB9M	
PIN	SIGNAL	COLOR	PIN	SIGNAL
1.	FR SH	SHIELD	1.	SHIELD
2.	NC			
3.	NC			
4.	TX3	RED	2.	RXD
5.	GND	BLACK	7.	GND
6.	NC			
7.	NC			
8.	RX3			
9.	NC			

(BELDEN COLOR CODE USED)

NOTE: A POWER SOURCE IS REQUIRED FOR THE MIDIATOR TO OPERATE IE. WALL WART

CABLE APPLICATION:  
THIS CABLE IS USED TO INTERFACE BETWEEN A BART "SER" RS-232 DB9F TO A SERIAL TO MIDI INTERFACE DEVICE.

TRIAD PRODUCTIONS, INC.		
Title BART SERIAL C TO MIDIATOR		
Size A	Document Number BSERC MIDI.OCD	REV A
Date: March 4, 1999	Sheet	1 of 1