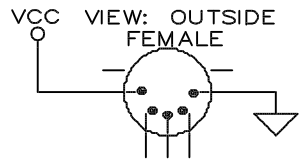


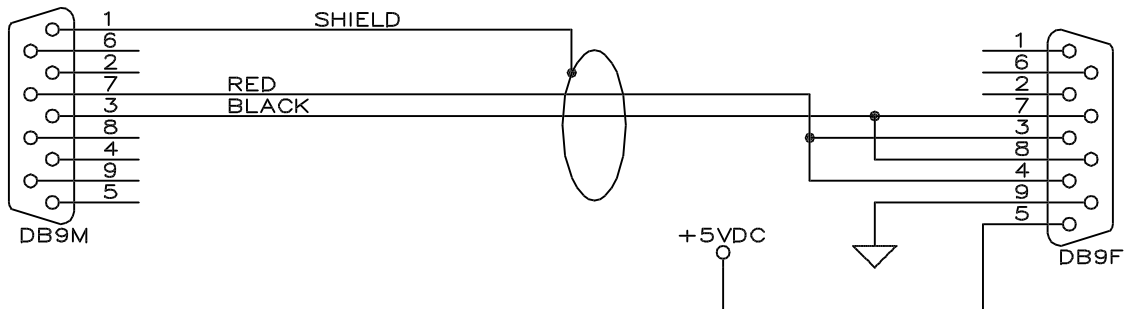
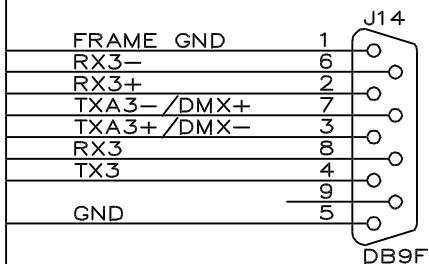
# BART SERIAL C DMX TO TC-648 OCTAL DISTRIBUTION AMP

BART RS-485 DMX DB9F TO TC-648 DISTRIBUTION AMP DB9M

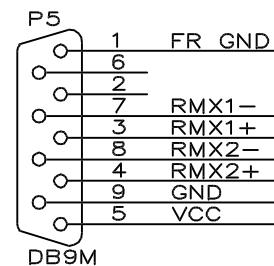
(REQUIRES A DB9M TO DB9F ON CABLE)



## BART SERIAL C



## TC-648



NOTE: TX+ AND TX- FOR DMX ON THE BART SERIAL PORT ARE LABEL INCORRECTLY IN THE SCHEMATIC. FOLLOW THE WIRING DOCUMENTATION.

BART SERIAL C DB9F	TC-051524 12 PIN PHOENIX	POWER FROM TC-051524 OR ELPAC CABLE	TC-648 DB9F
PIN	SIGNAL	PIN	SIGNAL
		2.	+5
		1.	GND
1.	FR SH		
3.	TXA3-/DMX+		
7.	TXA3+/DMX-		
3.	TXA3-/DMX+		
7.	TXA3+/DMX-		

(BELDEN 8723 COLOR CODE USED)

APPLICATION:  
THIS CABLE IS USED TO CONNECT THE BART DMX DATA TO THE TC-648 OCTAL RS-422 DISTRIBUTION CARD. POWER TO THE DISTRIBUTION CARD IS SUPPLIED EXTERNALLY THROUGH THE TC-051524, AN ELPAC, OR OTHER POWER SUPPLY CAPABLE OF SUPPLYING +5V.

TRIAD PRODUCTIONS, INC.		
Title		
BART DMX TO TC-648		
Size	Document Number	REV
A	BARDM648.OCD	A
Date:	December 18, 1997	Sheet 1 of 1