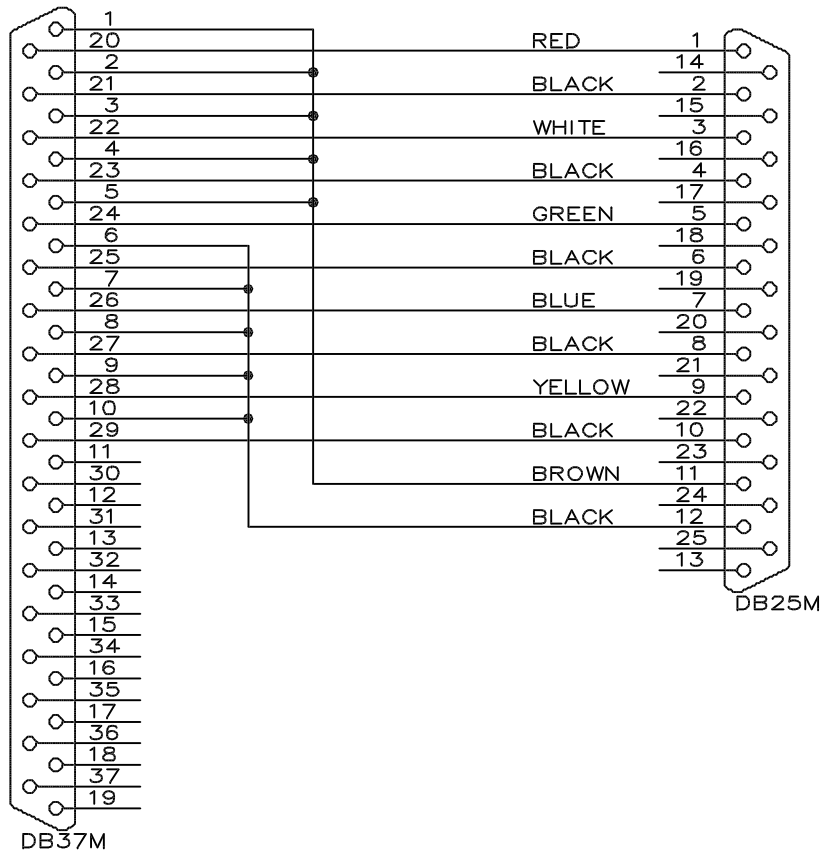
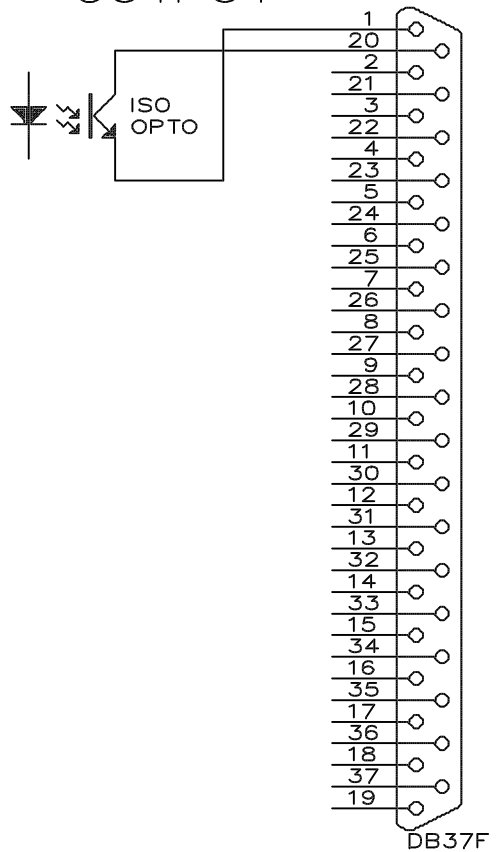


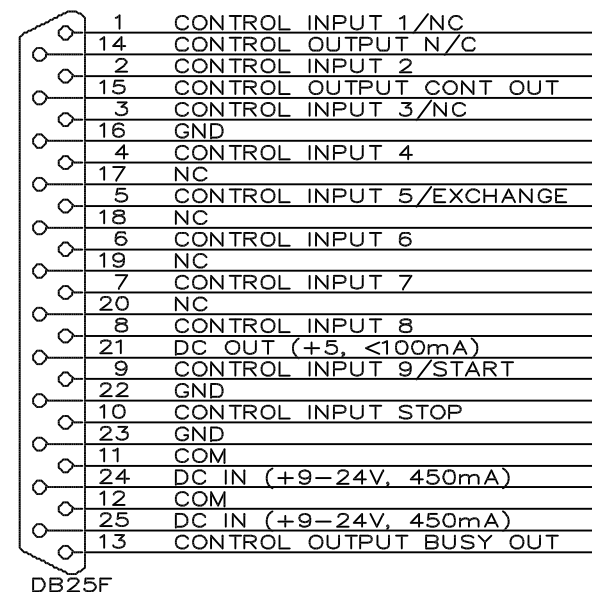
BART/TC316 DIGITAL OUTPUT TO AR100 CONTROL I/O

REQUIRES A DB37M TO DB25M FOR CABLE

BART/TC316 OUTPUT



AR100 CONTROL I/O



CABLE APPLICATION:
THIS CABLE IS USED TO INTERFACE BETWEEN
A BART OR TC316 OUTPUT CARD TO A ROLAND
AR100 FOR CONTROL OVER AUDIO PLAYBACK.

NOTE: USE BELDEN COLOR CODE WITH 6 PAIR

TRIAD PRODUCTIONS, INC.		
Title CONTACT CLOSURE CONTROL OF AR100		
Size A	Document Number AR100.OCD	REV A
Date: December 15, 1997	Sheet 1	of 1