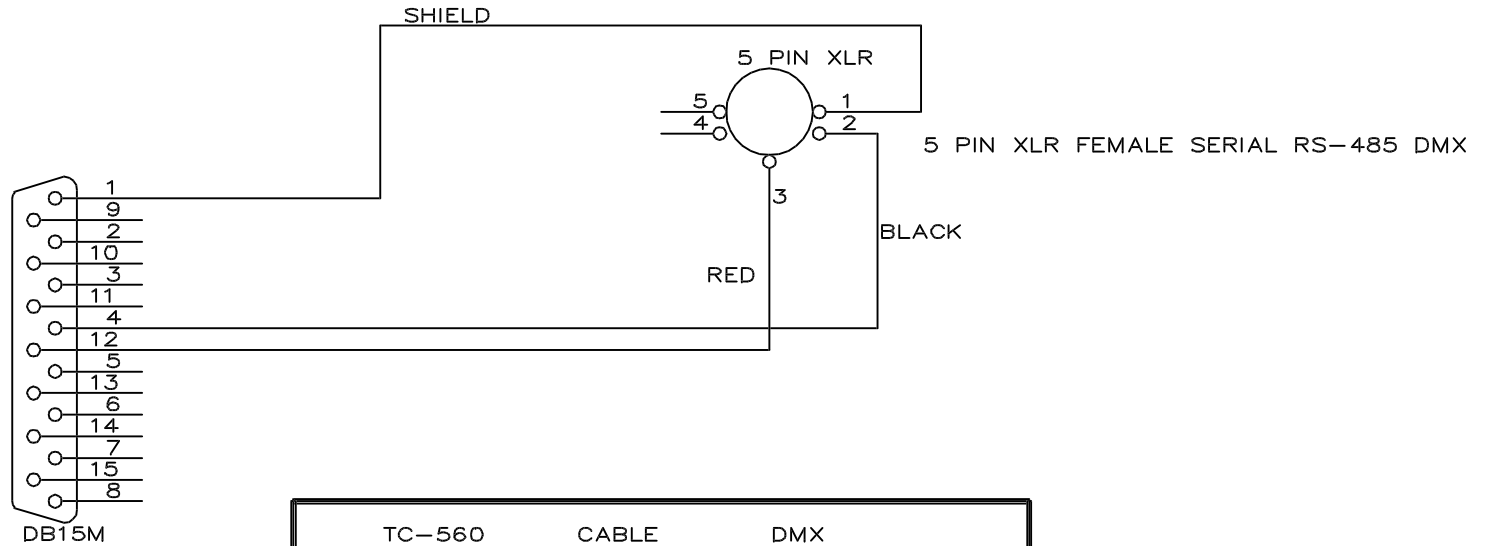
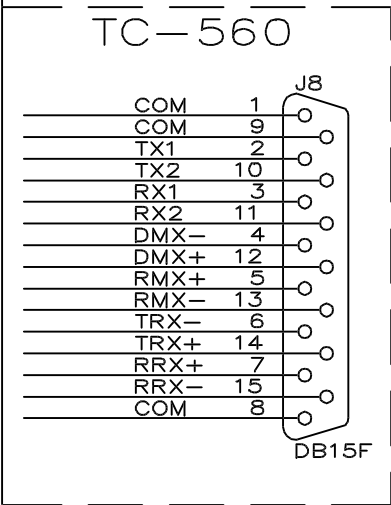


# TC-560F DMX TO 5 PIN XLR

TC-560F DMX RS-422 DB15F TO 5 PIN XLRM  
(REQUIRES A DB15M TO XLRF ON CABLE)



TC-560 DB15F	CABLE WIRE	DMX 5 PIN XLRM
PIN	SIGNAL	PIN SIGNAL
1.	GND	1. GND/SHIELD
4.	DMX-	2. DMX-
12.	DMX+	3. DMX+

(BELDEN COLOR CODE USING 8723)

TC-560 DB15F CONNECTOR

PIN	SIGNAL
1.	GND COM
2.	TX1
3.	RX1
4.	DMX-
5.	RMX+
6.	TRX-
7.	RRX+
8.	GND COM
9.	GND COM
10.	TX2
11.	RX2
12.	DMX+
13.	RMX-
14.	TRX+
15.	RRX-

CABLE APPLICATION:  
THIS CABLE IS USED TO SEND DMX DATA OUT  
A TC-560 THROUGH A STANDARD 5 PIN XLR.

TRIAD PRODUCTIONS, INC.		
Title TC-560F DMX TO 5 PIN XLR		
Size A	Document Number 560TOXLR.OCB	REV 1
Date:	September 21, 1995	Sheet 1 of 1